

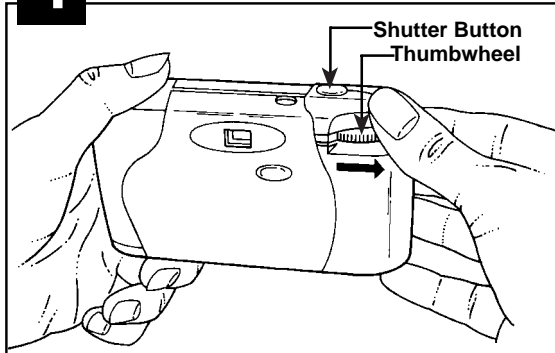


CURRENT INFORMATION SUMMARY

Opening Instructions for the KODAK MAX Flash One-Time-Use Camera

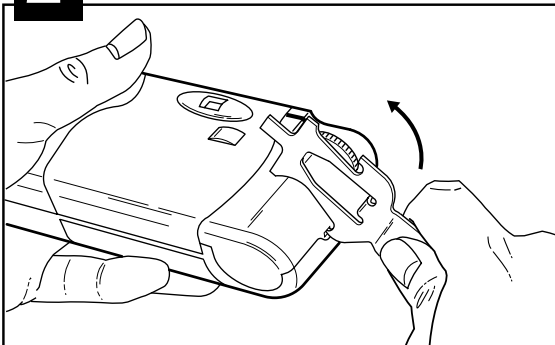
Wear eye protection when opening all cameras.

1 Wind off



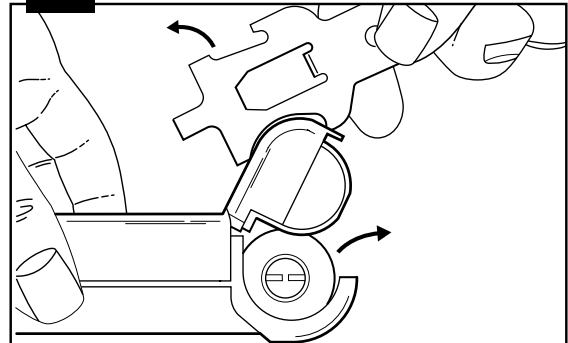
- Check the frame counter window.
- X's must be visible.
- If not, grip camera, press shutter button, and turn thumbwheel until film is fully rewound.

2 Open Film Door



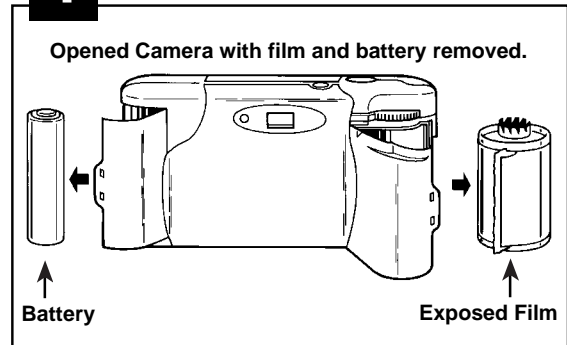
- Insert special tool into end slot (as shown).

3 Remove Film



- Use tool to bend cover back and remove film.

4 Remove Battery



- Repeat the same steps at opposite end of camera to remove battery.

- ### 5
- Place in recycle bin.
 - Return to Kodak for recycling.



CAUTION: This camera body contains a high voltage capacitor and circuit board. To avoid electric shock, do not pry apart the front and back sections of camera. Remove only film and battery from their respective compartments. If sections of the camera are separated, do not touch the circuit board.

CAUTION: To avoid injury, use tool carefully.

Current Information Summaries provide information of limited or specific application. Responsibility for judging the timeliness and applicability of the information to a specific photographic use rests with the end user.

Consumer Imaging
EASTMAN KODAK COMPANY • ROCHESTER, NY 14650



CIS-169
Opening Instructions for the
KODAK MAX Flash
One-Time-Use Camera

Kodak and Max are trademarks.

Minor Revision 12-98
Printed in U.S.A.